

Small capacity air pump

HP-20



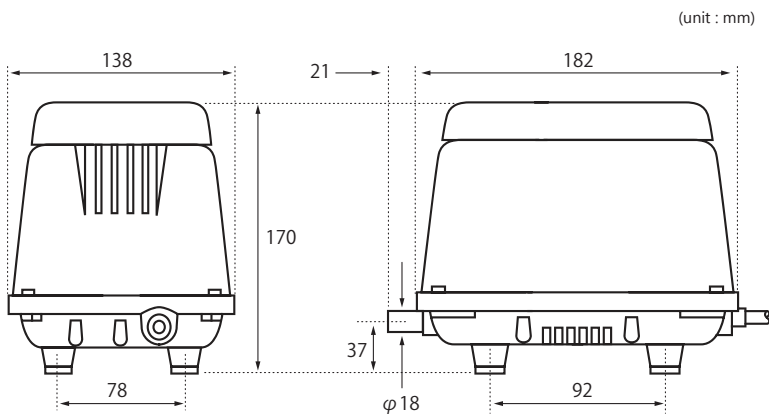
Pressure type

Outdoor (Rainproof) use

Applications

- Septic tank (biological contact aeration)
- Bubble bath (air bubble injection)
- Oxygen supply for fish breeding

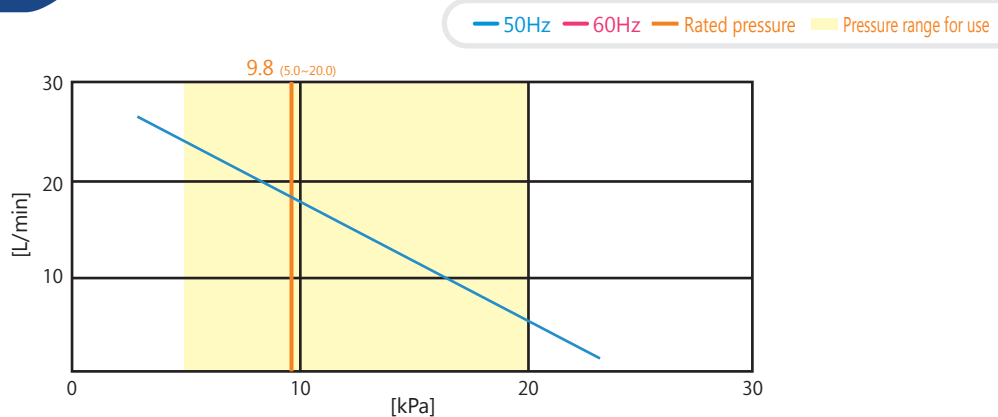
Dimensions



Specifications

	HP-20	
Rated voltage [V]	AC120 / 230	
Power frequency [Hz]	50	60
Rated pressure [kPa]	9.8	
Airflow volume [L/min]	18	20
Power consumption [W]	17	
Sound level [dBA]	31	
Weight [kg]	3.2	

Performance Curve



* All characteristics values are only for reference, and are not guaranteed values.
* Note that the operating temperature for our pumps is 41°F(5°C) to 104°F(40°C).